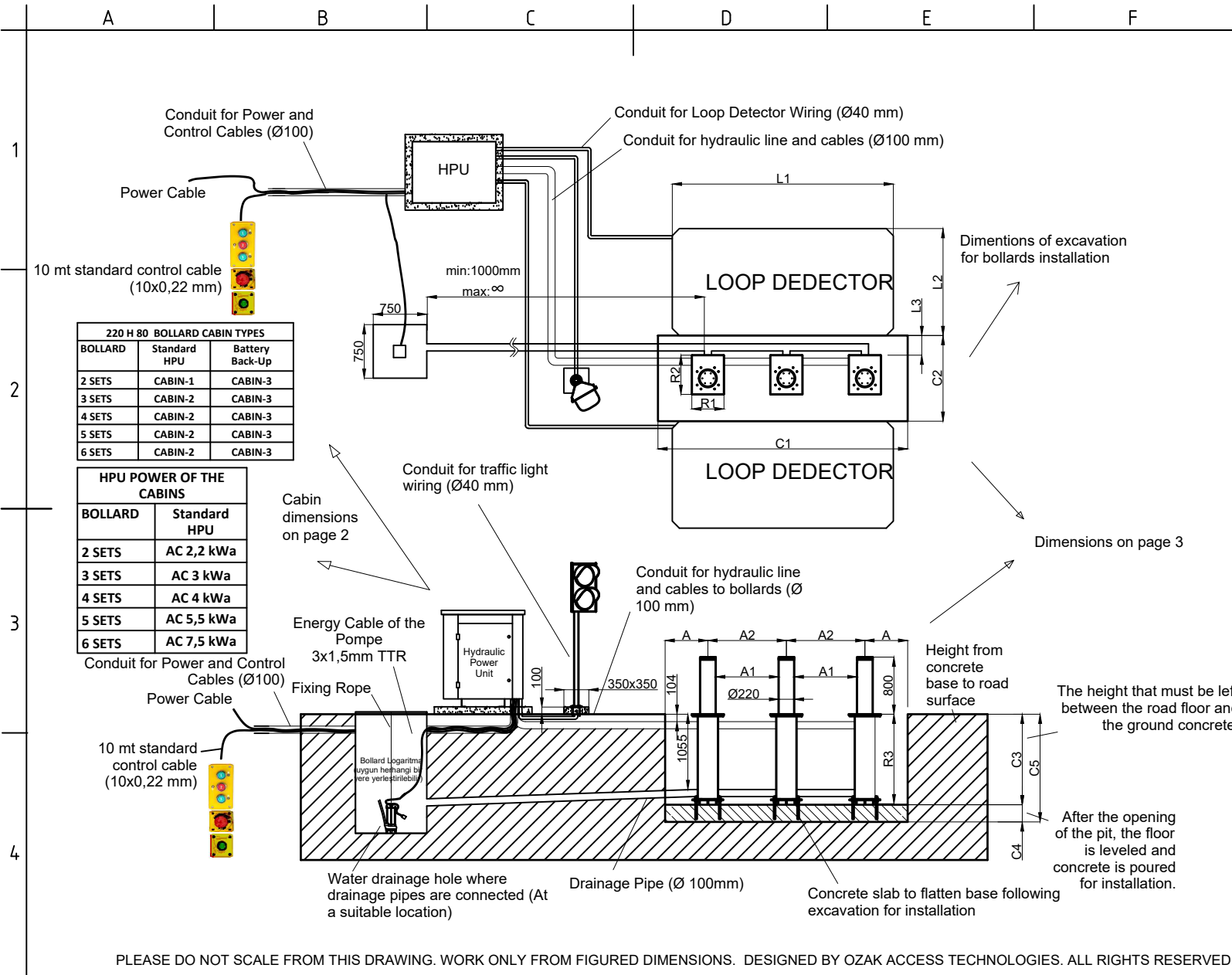




CUSTOMER
--
Proposal No
--
Page No
1/3
Explanations
TBD220H80 BOLLARD
Sales Representative
--
Authorised Designer
SELAMİ SÖZER
Draftsman
NUSRET FERHATOĞLU
CUSTOMER CONFIRMATION
AUTHORISED PERSON
Name - Surname - Signature - Stamp



220 H 80 BOLLARD CABIN TYPES

BOLLARD	Standard HPU	Battery Back-Up
2 SETS	CABIN-1	CABIN-3
3 SETS	CABIN-2	CABIN-3
4 SETS	CABIN-2	CABIN-3
5 SETS	CABIN-2	CABIN-3
6 SETS	CABIN-2	CABIN-3

HPU POWER OF THE CABINS

BOLLARD	Standard HPU
2 SETS	AC 2,2 kWa
3 SETS	AC 3 kWa
4 SETS	AC 4 kWa
5 SETS	AC 5,5 kWa
6 SETS	AC 7,5 kWa

PLEASE DO NOT SCALE FROM THIS DRAWING. WORK ONLY FROM FIGURED DIMENSIONS. DESIGNED BY OZAK ACCESS TECHNOLOGIES. ALL RIGHTS RESERVED.

* Please sign / stamp this Technical Drawing and fax or e-mail a scanned copy back to Ozak Access Technologies as a confirmation of your drawing.. / FR-75-46

A

B

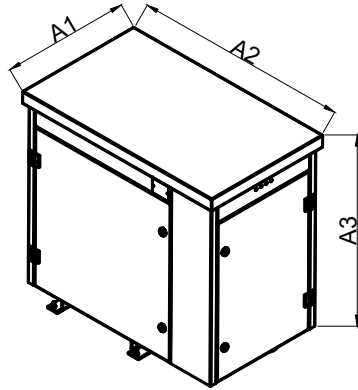
C

D

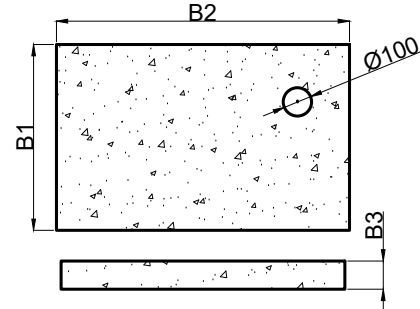
E

F

CABIN DIMENSIONS



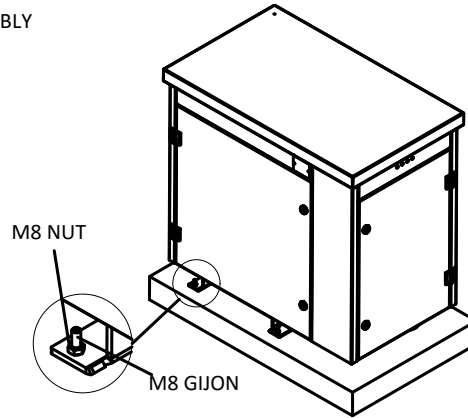
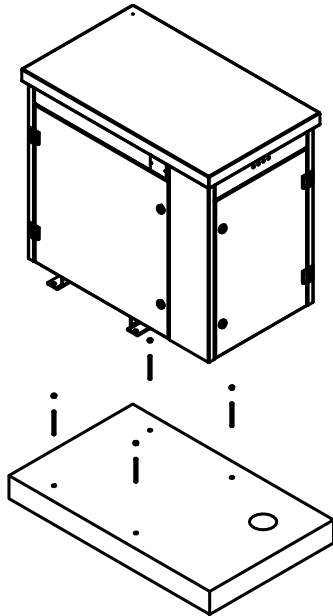
CONCRETE FLOOR DIMENSIONS



CABIN TYPE	A1	A2	A3
CABIN 1	558	938	895,5
CABIN 2	570	991	1195,5
CABIN 3	826	1148	1195,5

CABIN TYPE	B1	B2	B3
CABIN 1	658	1038	100
CABIN 2	670	1091	100
CABIN 3	926	1248	100

ASSEMBLY



ALL DIMENSIONS ARE MILLIMETERS

PLEASE DO NOT SCALE FROM THIS DRAWING. WORK ONLY FROM FIGURED DIMENSIONS. DESIGNED BY OZAK ACCESS TECHNOLOGIES. ALL RIGHTS RESERVED.



CUSTOMER

--

Proposal No

--

Page No

2/3

Explanations

BOLLARD
CABIN AND CONCRETE
FLOOR DIMENSIONS

Sales Representative

--

Authorised Designer

SELAMI SÖZER

Draftsman

NUSRET FERHATOĞLU

CUSTOMER CONFIRMATION

AUTHORISED PERSON

Name - Surname - Signature - Stamp

* Please sign / stamp this Technical Drawing and fax or e-mail a scanned copy back to Ozak Access Technologies as a confirmation of your drawing.. / FR-75-46

A

B

C

D

E

F

1

2

3

4



CUSTOMER

--

Proposal No

--

Page No

3/3

Explanations

TBD 220 H80
BOLLARD

Sales Representative

--

Authorised Designer

SELAMİ SÖZER

Draftsman

NUSRET FERHATOĞLU

CUSTOMER CONFIRMATION

AUTHORISED PERSON

Name - Surname - Signature - Stamp

BOLLARD ASSEMBLY DIMENSIONS

R1	R2	R3	A	A1	A2	C1	C2	C3	C4	C5	L1	L2	L3
450	550	905	600	880	1100	2300	1200	1000	240	1240	2000	660	275

ALL DIMENSIONS ARE MILLIMETERS

PLEASE DO NOT SCALE FROM THIS DRAWING. WORK ONLY FROM FIGURED DIMENSIONS. DESIGNED BY ÖZAK ACCESS TECHNOLOGIES. ALL RIGHTS RESERVED.

* Please sign / stamp this Technical Drawing and fax or e-mail a scanned copy back to Ozak Access Technologies as a confirmation of your drawing.. / FR-75-46