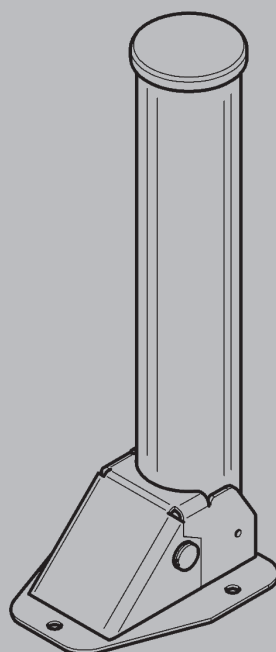


RANCH R



ISTRUZIONI PER INSTALLAZIONE USO E MANUTENZIONE
INSTRUCTIONS FOR INSTALLATION, USE AND MAINTENANCE
INSTALLATIONS-, GEBRAUCHS- UND WARTUNGSANLEITUNGEN

DISSUASORE MANUALE
MANUAL BOLLARD
MANUELLER POLLER

Attenzione! Leggere attentamente le "Avvertenze" all'interno! **Caution!** Read "Warnings" inside carefully!
Achtung! Bitte lesen Sie aufmerksam die „Hinweise“ im Inneren!



AZIENDA CON
SISTEMA DI GESTIONE
CERTIFICATO DA DNV GL
= ISO 9001 =
= ISO 14001 =



GENERALITA'

Il dissuasore è la soluzione ideale per la protezione e la salvaguardia di aree private nel rispetto dei moderni canoni di arredo urbano.

DATI TECNICI

Dimensioni a stelo alzato.....	200L x 255P x h. 625 mm
Dimensioni a stelo abbassato.....	200L x 790P x h. 114 mm
Stelo.....	Ø102 x h. 620 mm sp. 3 mm acciaio
Trattamento superficiale	Cataforesi
Colore stelo.....	Verniciatura grigio RAL 7015
Sollevamento.....	Manuale
Bloccaggio.....	Tramite chiave personalizzata
Peso netto.....	9 kg
Peso lordo.....	10 kg

GENERAL

The deterrent bollard is the ideal solution for protecting and safeguard private areas in compliance with modern urban furnishing requirements.

TECHNICAL SPECIFICATIONS

Dimensions with rod raised.....	200L x 255P x h. 625 mm
Dimensions with rod lowered.....	200L x 790P x h. 114 mm
Rod.....	Ø102 x h. 620 mm th. 3 mm steel
Surface treatment.....	Cataphoresis
Rod color.....	Coating grey ral 7015
Lifting.....	Manual
Locking.....	By customized key
Net weight.....	9 kg
Gross weight.....	10 kg

ALLGEMEINES

Der versenkbare Poller ist die ideale Lösung zum Schutze und zur Sicherung von privaten Bereichen unter Berücksichtigung der modernen Stadteinrichtung.

TECHNISCHE DATEN

Abmessungen mit angehobener stang	200L x 255P x h. 625 mm
Abmessungen mit gesenkter stange	200L x 790P x h. 114 mm
Stange.....	Ø102 x h. 620 mm sp. 3 mm Stahl
Oberflächenbehandlung.....	Kataphorese
Farbe der stange.....	Grau RAL 7015, lackiert
Heben.....	Manuell
Verriegelung.....	Mit angepasstem Schlüssel
Nettogewicht.....	9 kg
Brutto-gewicht.....	10 kg

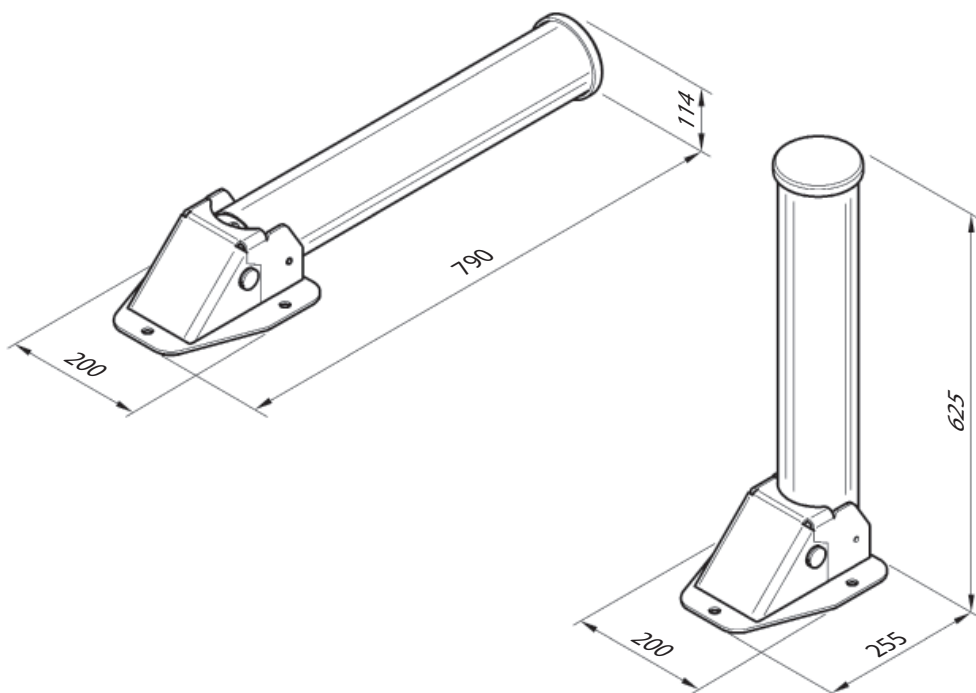
D812786 00550_06

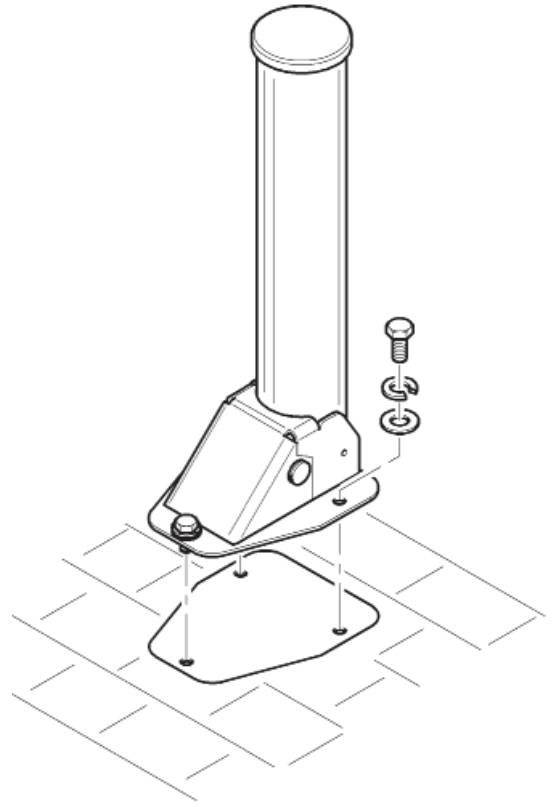
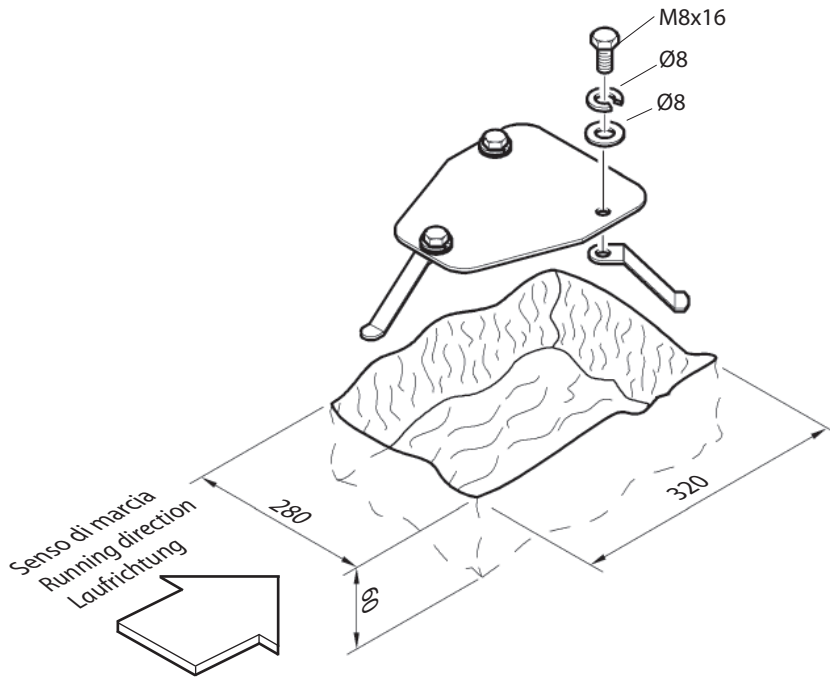
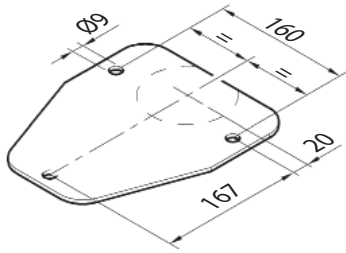
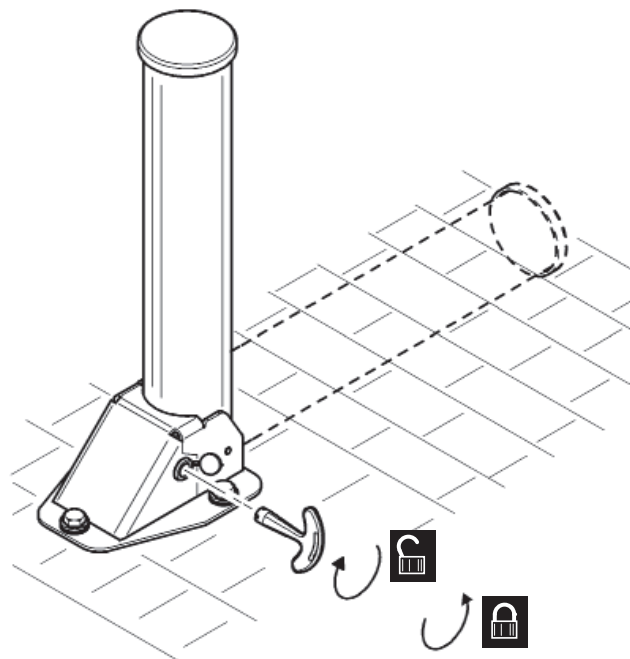


TUTTE LE DIMENSIONI IN mm / ALL DIMENSIONS IN mm / ALLE ABMESSUNGEN IN mm



DIMENSIONI D'INGOMBRO, OVERALL SIZE DIMENSIONS, GESAMTABMESSUNGEN



B**FISSARE IL DISSUASORE, FIXING THE BOLLARD, VERLEGUNG DES POLLERS****C****FUNZIONAMENTO, OPERATION, FUNKTIONSWEISE**

INSTALLATORE
INSTALLER
INSTALLATEUR

DATA
DATE
DATUM



www.bft-automation.com

BFT Spa

Via Lago di Vico, 44 ITALY
36015 Schio (VI)
T +39 0445 69 65 11
F +39 0445 69 65 22

SPAIN

BFT GROUP ITALIBERICA DE AUTOMATISMOS SL
Camí de Can Bassa, 6, 08401 Granollers, Barcelona, Spagna

FRANCE

AUTOMATISMES BFT FRANCE SAS
50 rue jean zay
69800 Saint-Priest, Francia

GERMANY

BFT ANTRIEBSSYSTEME GMBH
Faber-Castell-Straße 29, 90522 Oberasbach, Germania

UNITED KINGDOM

BFT AUTOMATION UK LTD
Unit C2-C3 The Embankment Business Park, Vale Road Heaton Mersey Stockport Cheshire SK4 3GL United Kingdom

BFT AUTOMATION (SOUTH) LTD

Enterprise House Murdock Road, Dorcan, Swindon, England, SN3 5HY

PORTUGAL

BFT PORTUGAL SA
Urb. Pedrulha lote 9 - Apartado 8123, 3025-248 Coimbra Portugal

POLAND

BFT POLSKA SP ZOO
Marecka 49, 05-220 Zielonka, Polonia

IRELAND

BFT AUTOMATION IRELAND
Unit D3 City Link Business Park, Old Naas Road, Dublin

CROATIA

BFT ADRIA DOO
Obrovac 39, 51218, Dražice, Croazia

CZECH REPUBLIC

BFT CZ SRO
Ustecka 533/9, 184 00 Praha 8, Czech

TURKEY

BFT OTOMASYON KAPI
Şerifali Mahallesi, no, 34775 Ümraniye/Istanbul, Turchia

U.S.A.

BFT AMERICAS INC.
1200 S.W. 35th Avenue Suite B Boynton Beach FL 33426

AUSTRALIA

BFT AUTOMATION AUSTRALIA PTY
29 Bentley St, Wetherill Park NSW 2164, Australia

EMIRATES

BFT MIDDLEEAST FZCO
FZS2 AA01 -PO BOX 262200, Jebel Ali Free Zone South Zone 2, Dubai - United Arab

NEW ZEALAND

BFT AUTOMATION NEW ZEALAND
224/A Bush Road, Rosedale, Auckland, New Zealand